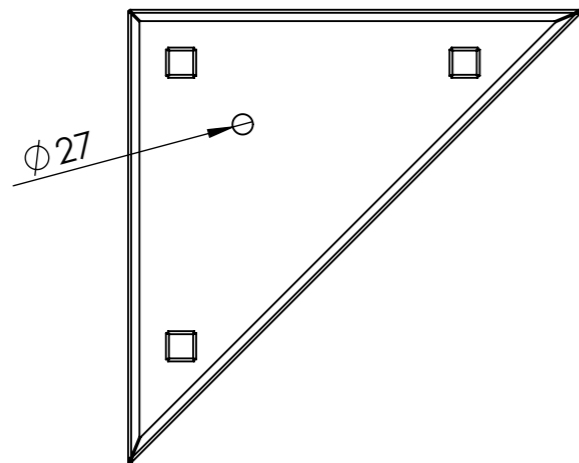


DETAIL A
SCALE 1 : 5



DRAWN	Bas Vlamings	DATE	7-11-2022		TITLE:	2 mm Corten	
REVISION					Drawing:	CAT8.3	A3
		Liessentstraat 4, 5405 AG Uden (NL). † 0031 (0)413 - 27 41 68. e info@adezz.com, i www.adezz.com		Color:	Mass (kg):	17.21	SCALE:1:10
					SHEET 1 OF 7		