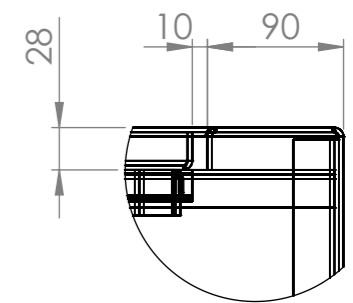
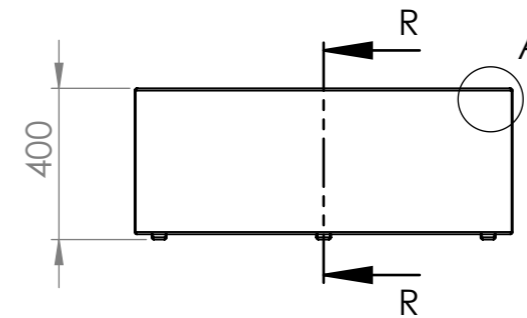
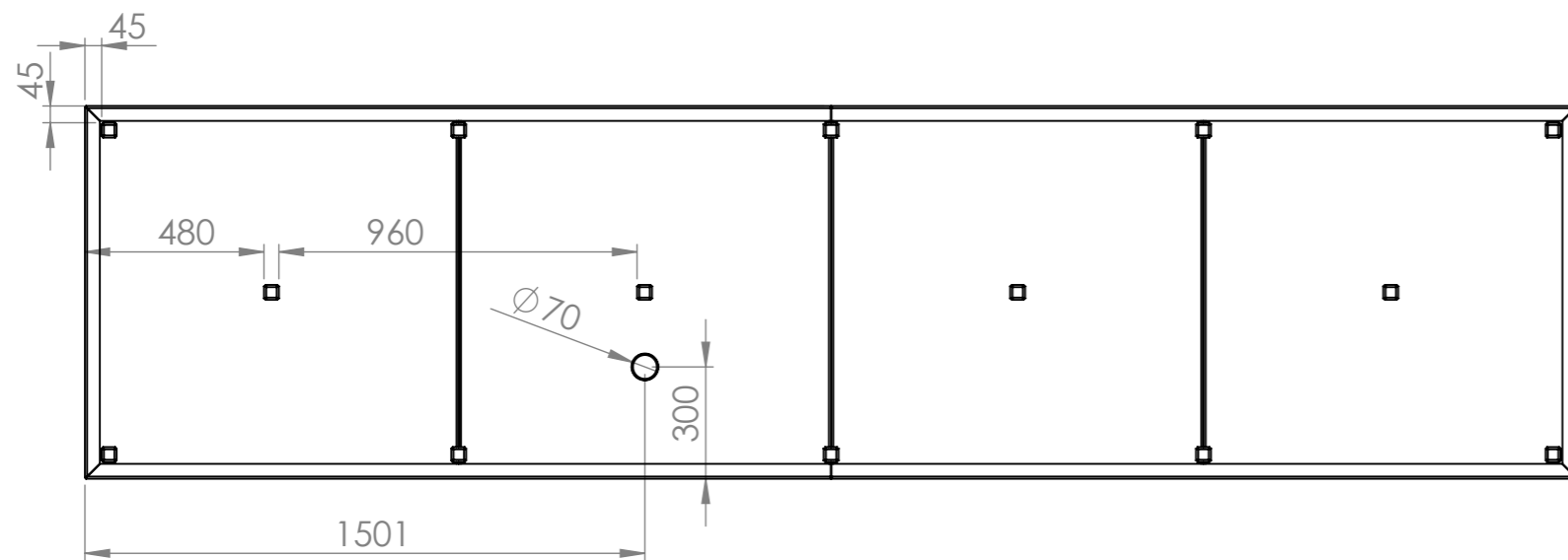


SECTION R-R



DETAIL A  
SCALE 1 : 5



ITEM NO.	PART NUMBER	Thickness	DESCRIPTION	Default/ QTY.
1	CB3 Base	3 mm	Corten	1
2	CB3 Cover	3 mm	Corten	1

DRAWN	Joris Koppens	DATE	10-10-2019
REVISION			



TITLE: 3mm Corten

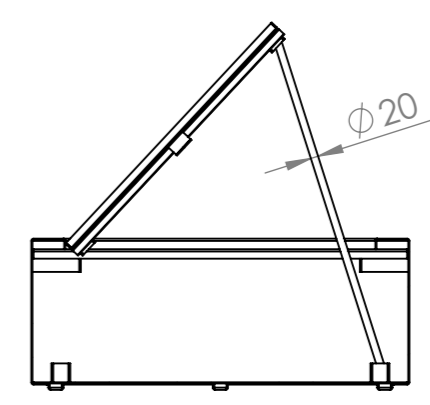
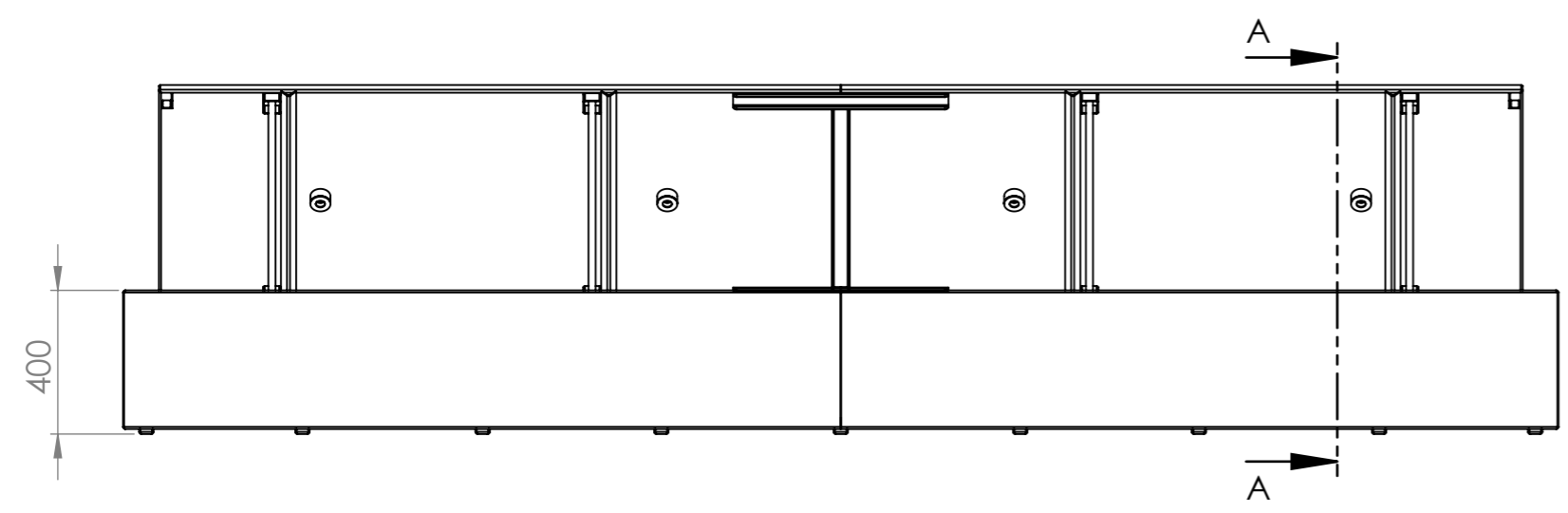
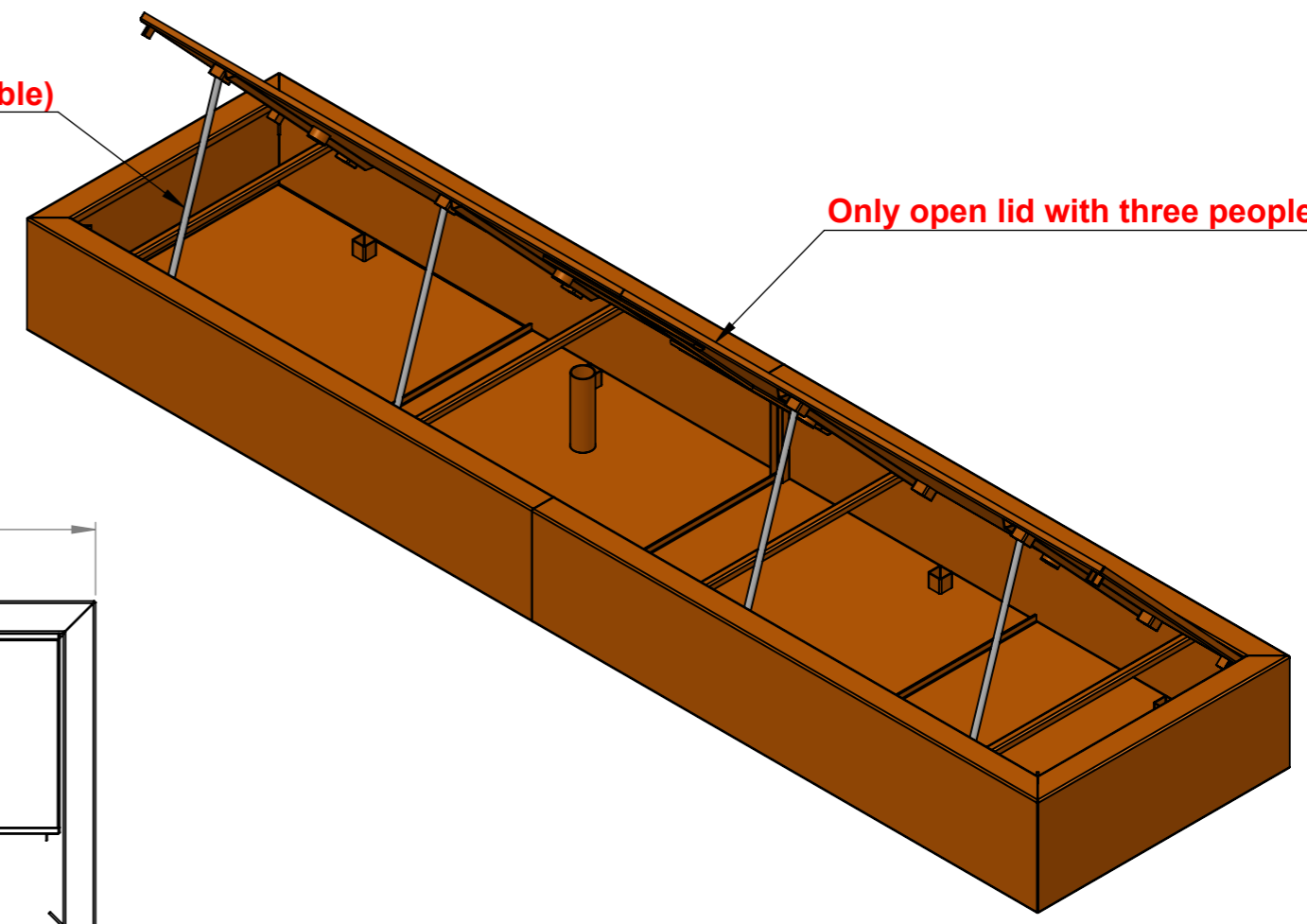
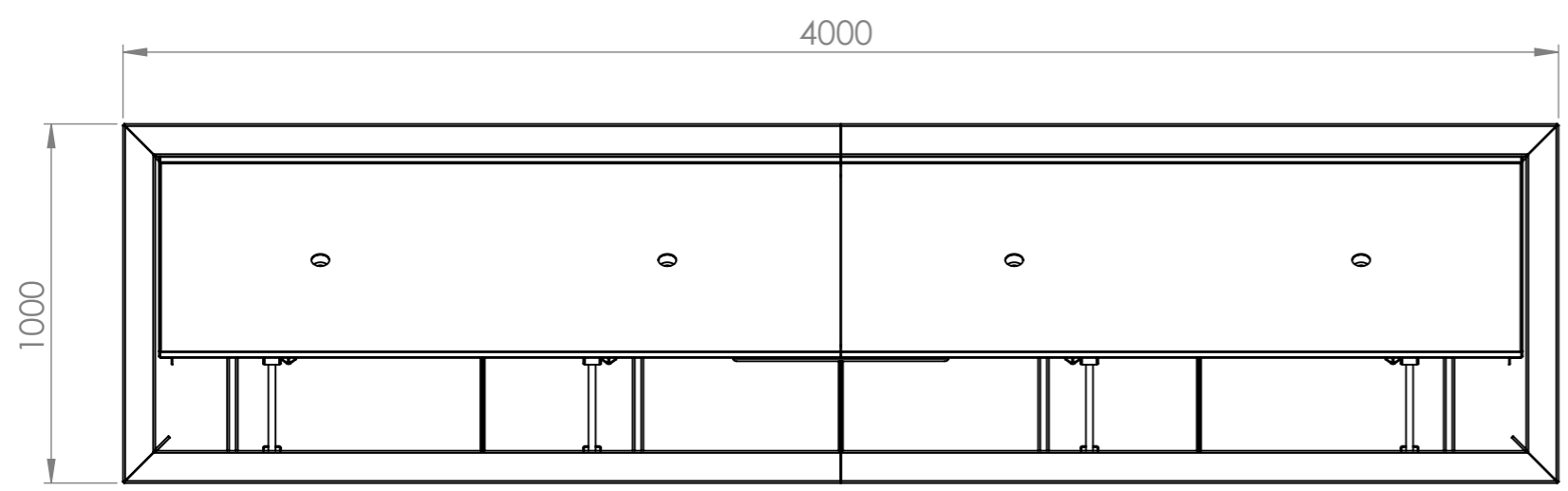


Liessentstraat 4, 5405 AG Uden (NL).  
 † 0031 (0)413 - 27 41 68.  
 e info@adezz.com, i www.adezz.com

Drawing: CB3 4000x1000x400 A3

Only use supplied rods to support the lid  
(Store these rods well, outside the water table)

Only open lid with three people



SECTION A-A

DRAWN	Joris Koppens	DATE	10-10-2019		TITLE:	3mm Corten	
REVISION					Drawing:	CB3 4000x1000x400	A3
		Liessentstraat 4, 5405 AG Uden (NL). † 0031 (0)413 - 27 41 68. e info@adezz.com, i www.adezz.com		Color:	-	Mass (kg):	311.52
				SCALE:1:20	SHEET 2 OF 25		