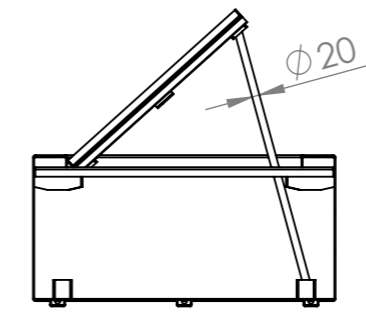
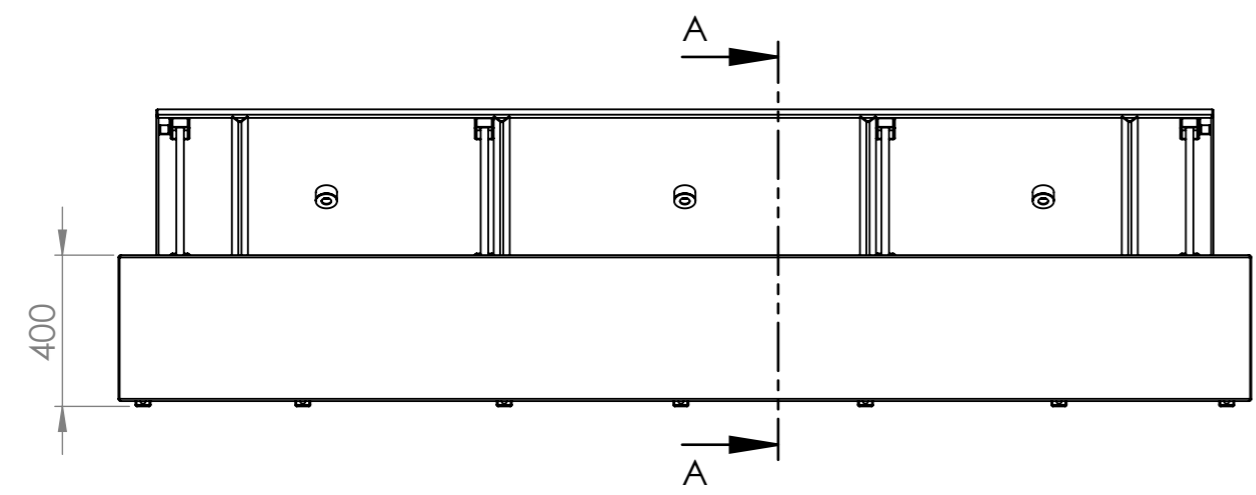
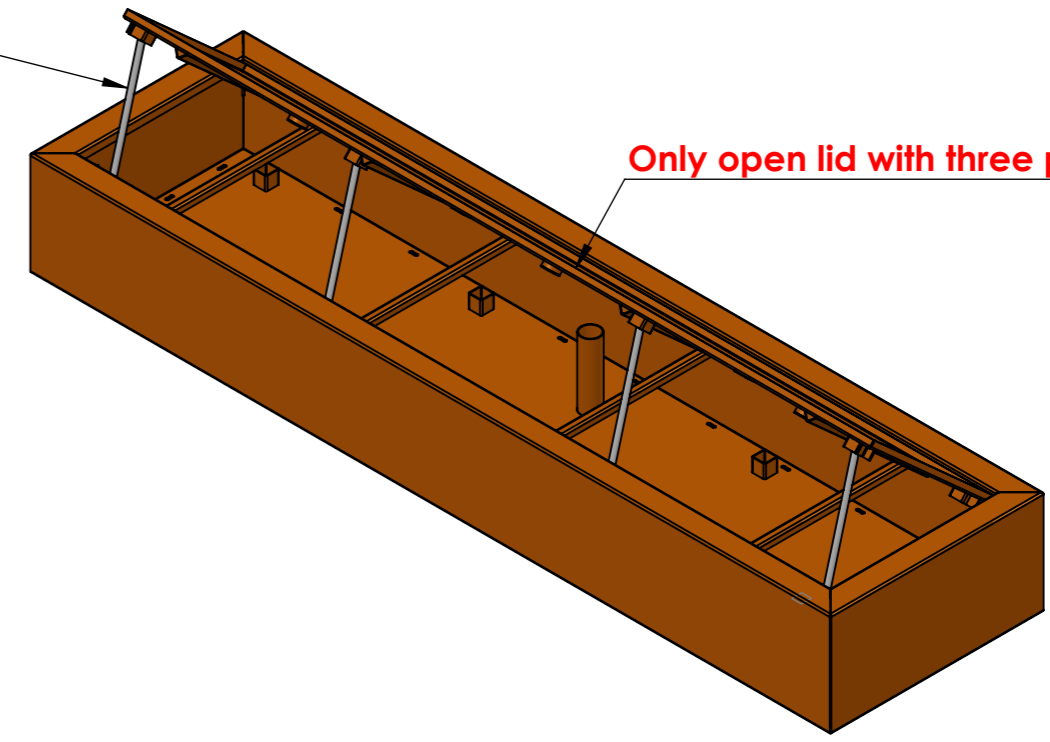
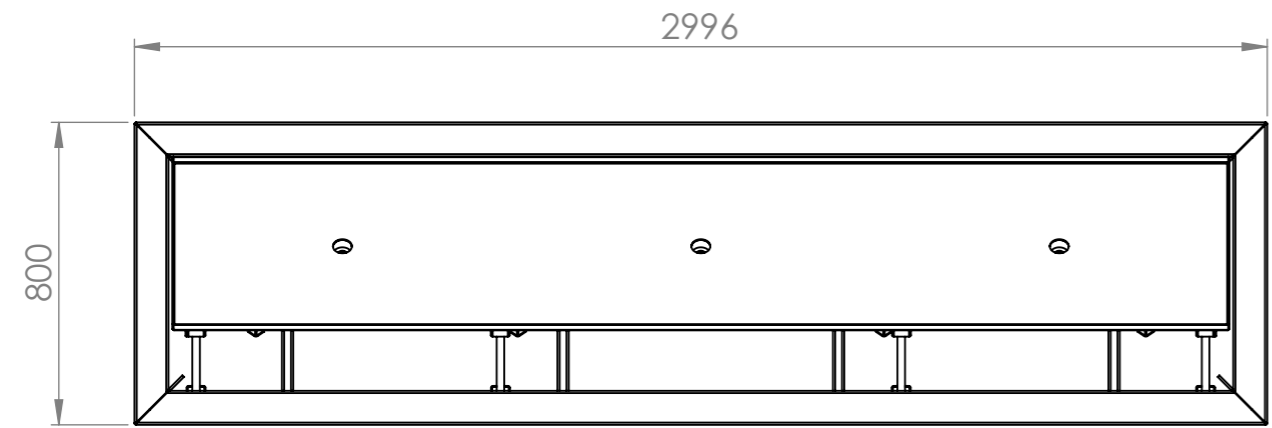


DRAWN	Luuk van den Heuvel	DATE	31-5-2023		TITLE:			
REVISION					Corten 3mm			
				Liessentstraat 4, 5405 AG Uden (NL). t 0031 (0)413 - 27 41 68. e info@adezz.com, i www.adezz.com		Drawing:	CB4.1. 3000x800x400	A3
Color:	-	Mass (kg):	202.75	SCALE:1:20	SHEET 1 OF 20			

Only use supplied rods to support the lid
(store these rods well, outside the water table)

Only open lid with three people



SECTION A-A

ITEM NO.	PART NUMBER	THICKNESS	DESCRIPTION	QTY.
1	CB4.1. Base	3 mm	Corten	1
2	CB4.1. Cover	3 mm	Corten	1
3	CB4.1.-Support 3		Adezz	4

DRAWN	Luuk van den Heuvel	DATE	31-5-2023
REVISION			



Liessentstraat 4, 5405 AG Uden (NL).
 † 0031 (0)413 - 27 41 68.
 e info@adezz.com, i www.adezz.com

TITLE:	CB4.1. 3000x800x400
--------	---------------------

Drawing:	CB4.1. 3000x800x400	A3
----------	---------------------	----