

		DATE		TITLE:
DRAWN	Luuk van den Heuvel	31-5-2023		
REVISION	Dorus Bannenberg	16-6-2023		

ADEZZ
DESIGN TO GROW

Liessentstraat 4, 5405 AG Uden (NL).
 † 0031 (0)413 - 27 41 68.
 e info@adezz.com, i www.adezz.com

Color: -

Mass (kg): **165.38**

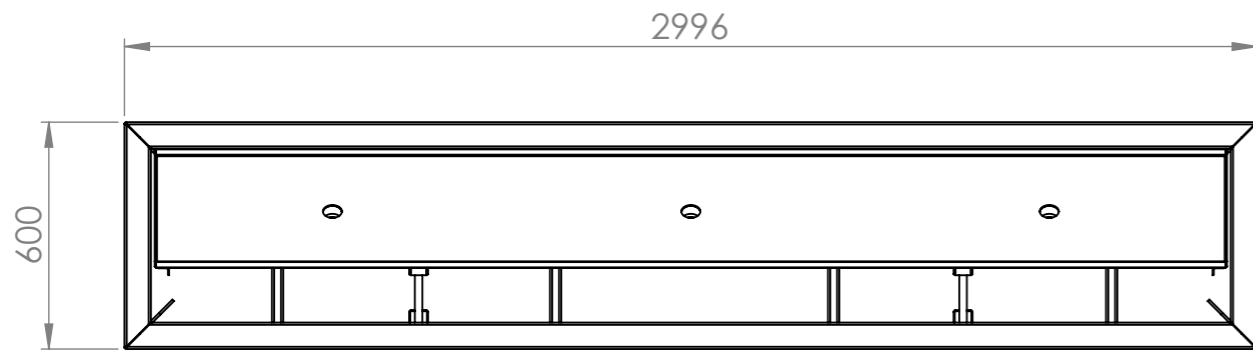
SCALE:1:20

SHEET 1 OF 19

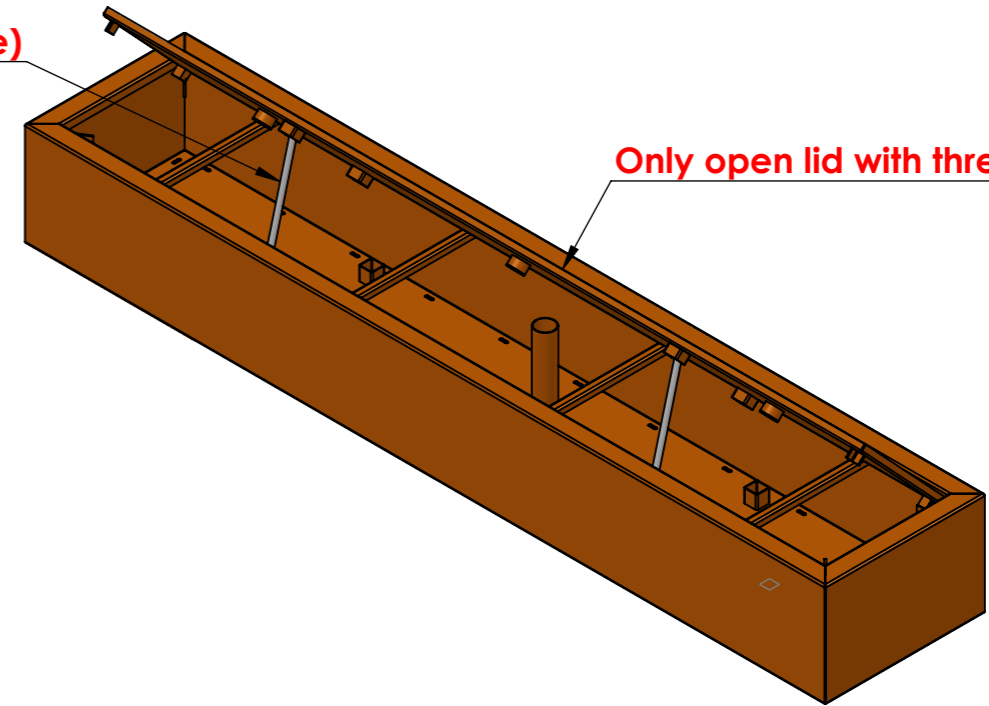
Corten 3mm

Drawing: CB4.2. 3000x600x400

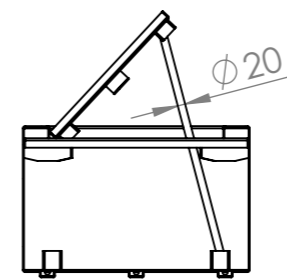
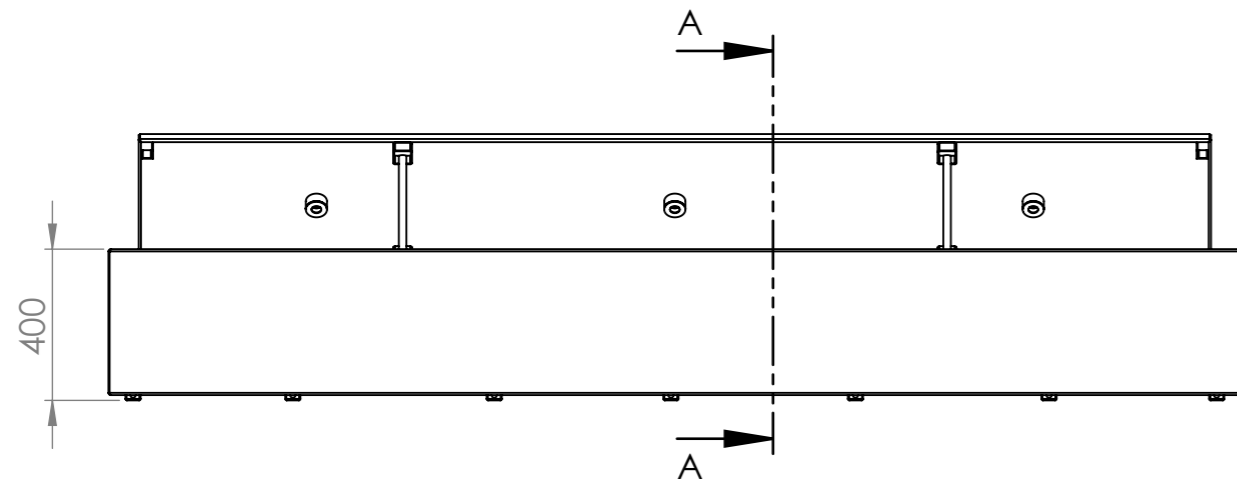
A3



Only use supplied rods to support the lid
(store these rods well, outside the water table)



Only open lid with three people



SECTION A-A

ITEM NO.	PART NUMBER	THICKNESS	DESCRIPTION	QTY.
1	CB4.2. Base	3 mm	Corten	1
2	CB4.2. Cover	3 mm	Corten	1
3	CB4.2.-Support 3		Adezz	2

DRAWN	Luuk van den Heuvel	DATE	31-5-2023
REVISION	Dorus Bannenber	DATE	16-6-2023

ADEZZ
DESIGN TO GROW

Liessentstraat 4, 5405 AG Uden (NL).
t 0031 (0)413 - 27 41 68.
e info@adezz.com, i www.adezz.com

Color: - Mass (kg): **165.38**

TITLE:	CB4.2. 3000x600x400	
Drawing:	CB4.2. 3000x600x400	A3
SCALE:	1:20	SHEET 2 OF 19