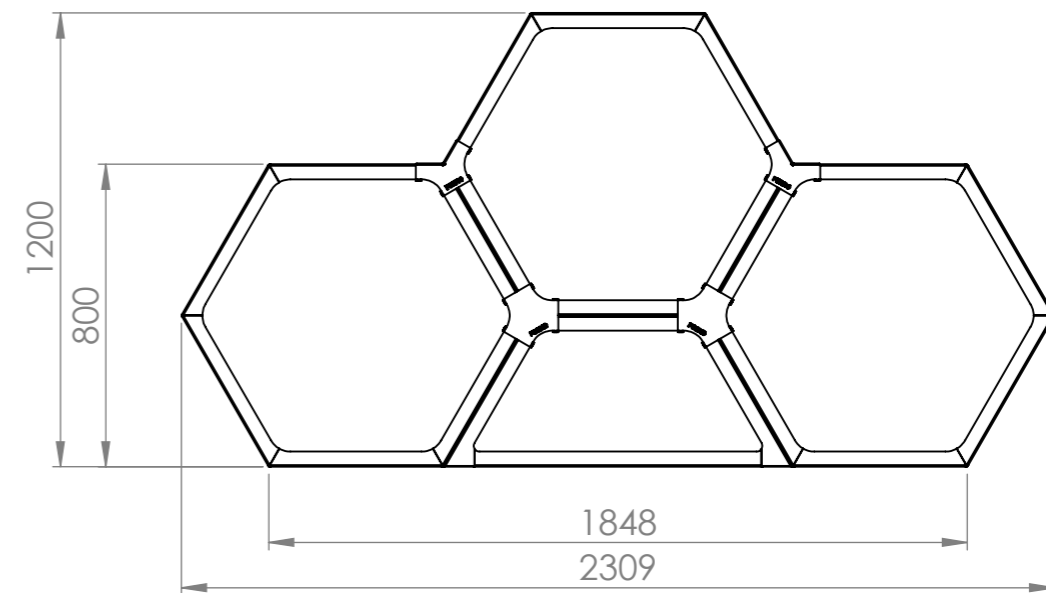
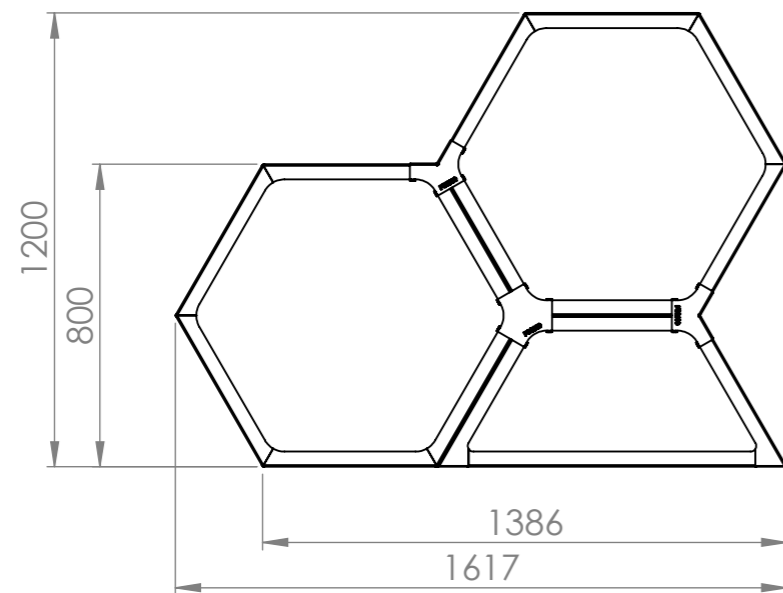
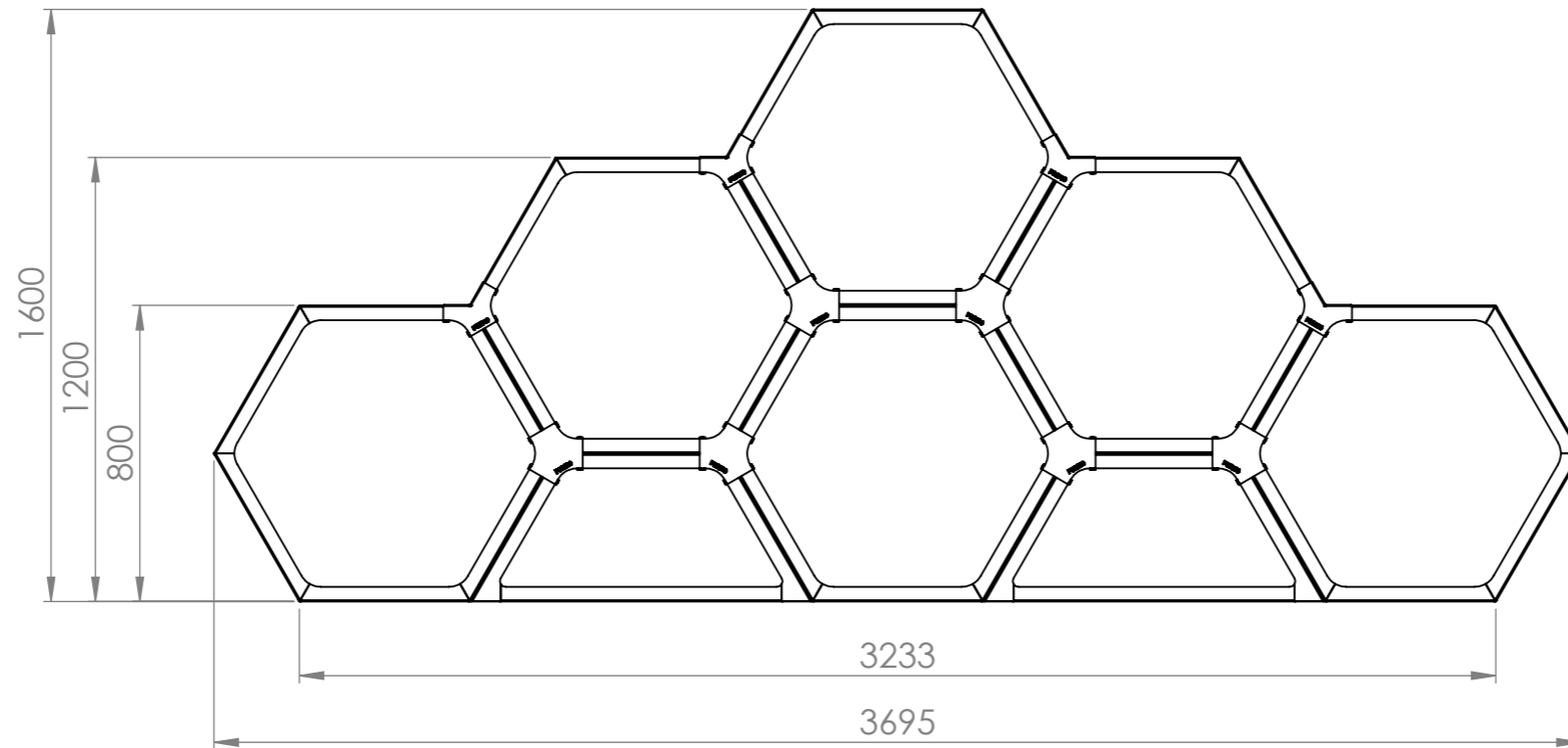


		DATE		TITLE:	
DRAWN	Luuk van den Heuvel	8-7-2024		FWH.800	
REVISION					
			Liessentstraat 4, 5405 AG Uden (NL). † 0031 (0)413 - 27 41 68. e info@forno.nl, i www.forno.nl		Drawing.
Color:	-	Mass(kg): 20.24	SCALE:1:10	A3	
			SHEET 1 OF 4		



DRAWN	Dorus Bannenberg	DATE	9-7-2024		TITLE:	Placing HEX	
REVISION					Drawing:	Placing HEX	A3
		Liessentstraat 4, 5405 AG Uden (NL). † 0031 (0)413 - 27 41 68. e info@forno.nl, i www.forno.nl			SCALE:1:20	SHEET 1 OF 1	
Color:	-	Mass(kg):	57913.26				